

September 9th – 11th, 2026

Kyoto Institute of Technology 60th Anniversary Memorial Hall, Kyoto, Japan

PACMA 2026

1st Polymer Additive, Composite, and Manufacturing Asia

Information on Exhibiting at Corporate Booths

材料で拓く未来 — アジア市場への戦略的ゲートウェイ
(Materials Paving the Future: A Strategic Gateway to the Asian Market)



The event will host approximately 100 companies from Japan and Southeast Asia, representing key industries such as materials, construction, automotive, and 3D printing. In addition to these industry leaders, we expect participation from around 30 academic and research institutions, along with a diverse range of professionals from various sectors. We invite you to leverage this unique gathering as a strategic opportunity to foster and expand your business.



Access international
Customers with a strategic
Partnership in Singapore
シンガポールとの戦略的提携により、
成長著しいアジアの国際顧客ネットワークへ
直接アクセス



A strategic gateway to
expand your business and
establish your presence in
the Asian market

貴社のビジネスを拡大し、アジアビジネスに
おける圧倒的なプレゼンスを確立するため
の絶好の舞台

Special Speaker



Frank HENNING

Karlsruhe Institute of Technology
Germany

Presentation Title :

Next-Generation Composite Technologies:
Materials and Processes.

For registration & event details: <https://pacma2026.com/>

Inquiries: pacma@sfrm.or.jp

PACMA Secretariat

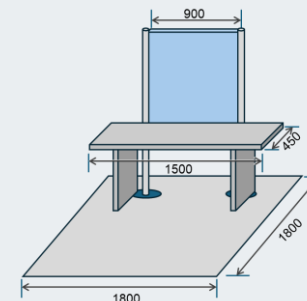


Exhibition Category

- Materials / Polymers
- Machinery / Equipment
- Software / Simulation
- Evaluation / Testing Technologies
- Sustainability / Recycling
- Others

Booth Specifications

- 1 booth: 180 cm × 180 cm
- 1 table: 150 cm × 45 cm
- 1 back panel: 90 cm × 120 cm
- Standard power supply: 100 V



Roadmap to Singapore and Exclusive Participant Benefits

PACMA 2026, held here in Japan, serves as the foundational stage for building strong domestic ties and fostering deep professional exchange. Following this, the second edition will expand to Singapore—a premier Southeast Asian hub—creating a truly international platform that connects a broader network of industry leaders and researchers. Together, these two events are designed to accelerate your strategic expansion into Southeast Asia and establish a robust base for global technological collaboration. As a gesture of our appreciation, companies participating in this inaugural event will be granted VIP Status for the upcoming Singapore edition.

Exclusive VIP Corporate Benefits

- **Priority Exhibition Space:** Early access to select premier booth locations within the venue.
- **Premium Lounge Access:** Exclusive use of VIP backstage facilities and dedicated relaxation areas.
- **And more! (Further details to be announced.)**

Event Information

Dates: September 9–11, 2026
Venue: 60th Anniversary Hall, Kyoto Institute of Technology
Address: Matsugasaki Hashigami-cho, Sakyo-ku, Kyoto, Japan

How to Apply

Applications for exhibition booths are accepted exclusively through the official PACMA website. To register, please visit the link below:
<https://pacma2026.com/exhibitor-booth/>



PACMA 2027 Singapore: The Journey Continues Following the success in Kyoto, the 2nd PACMA conference will be hosted in Singapore.